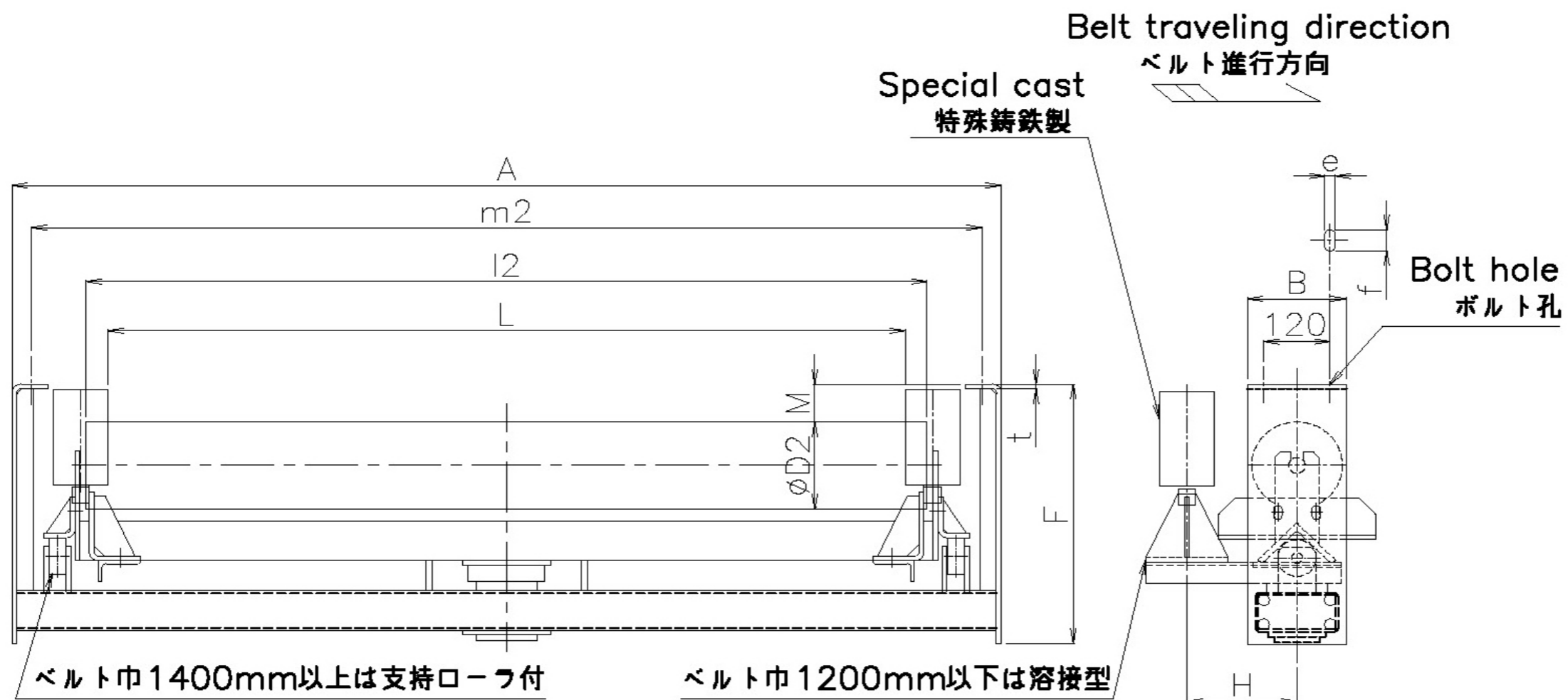


製品記号	ベルト巾	A	m1	D1	l1	C	F	M	J	H	P	B	t	n1	exf	ベアリング	重量kg										
OKC-40-3-20°-SC	400	690	640	89.1	145	475	225	180	52	150	40	190	6	140	15×25	6204	27.0										
OKC-45-3-20°-SC	450	740	690		165	532	232										195	48	200	34.0							
OKC-50-3-20°-SC	500	790	740		180	574	237										210	160	42.0								
OKC-60-3-20°-SC	600	890	840		210	661	262					217					56	78	52.0								
OKC-75-3-20°-SC	750	1090	1040	114.3	265	810	303	260	71			200					50	230	9	180	19×30	6205	72.0				
OKC-90-3-20°-SC	900	1240	1190		315	954	319																343	91	97	80.0	
OKC-105-3-20°-SC	1050	1390	1340	139.8	370	1124	382	373	101	250	60		400	9	280	19×30		6206				165.0					
OKC-120-3-20°-SC	1200	1540	1490		420	1268	399					373					101					250	60	400	330	6207	190.0
OKC-140-3-20°-SC	1400	1790	1730	165.2	500	1498	510	373	101	250	60	400	9				330	19×30				6207	242.0				
OKC-160-3-20°-SC	1600	1990	1930		580	1726	538																373	101	250	60	400
OKC-180-3-20°-SC	1800	2290	2220		650	1930	591												373	101	250		60	400	330	6207	258.0
OKC-200-3-20°-SC	2000	2490	2420		730	2159	619												373	101	250		60	400	330	6207	258.0

製品記号	ベルト巾	A	m1	D1	l1	C	F	M	J	H	P	B	t	n1	exf	ベアリング	重量kg										
OKC-40-3-30°-SC	400	690	640	89.1	145	439	249	180	52	150	40	190	6	140	15×25	6204	28.0										
OKC-45-3-30°-SC	450	740	690		165	492	260										195	48	200	35.0							
OKC-50-3-30°-SC	500	790	740		180	533	267										210	160	43.0								
OKC-60-3-30°-SC	600	890	840		210	613	298					217					56	78	53.0								
OKC-75-3-30°-SC	750	1090	1040	114.3	265	771	347	260	71			200					50	230	9	180	19×30	6205	73.0				
OKC-90-3-30°-SC	900	1240	1190		315	907	372																343	91	97	81.0	
OKC-105-3-30°-SC	1050	1390	1340	139.8	370	1064	443	373	101	250	60		400	9	280	19×30		6206				166.0					
OKC-120-3-30°-SC	1200	1540	1490		420	1200	468					373					101					250	60	400	330	6207	191.0
OKC-140-3-30°-SC	1400	1790	1730	165.2	500	1425	591	373	101	250	60	400	9				330	19×30				6207	243.0				
OKC-160-3-30°-SC	1600	1990	1930		580	1643	632																373	101	250	60	400
OKC-180-3-30°-SC	1800	2290	2220		650	1835	696												373	101	250		60	400	330	6207	259.0
OKC-200-3-30°-SC	2000	2490	2420		730	2052	737												373	101	250		60	400	330	6207	259.0

Product symbol	Belt width	A	m1	D1	l1	C	F	M	J	H	P	B	t	n1	e × f	Ballbearing	Weight(kg)
OKC-40-3-20°-SC	400	690	640	89.1	145	475	225	180	52	150	40	190	6	140	15×25	6204	27.0
OKC-45-3-20°-SC	450	740	690		165	532	232										28.0
OKC-50-3-20°-SC	500	790	740		180	574	237										29.0
OKC-60-3-20°-SC	600	890	840		210	661	262										195
OKC-75-3-20°-SC	750	1090	1040	114.3	265	810	303	217	56	200	210	160	180	15×25	6204	42.0	
OKC-90-3-20°-SC	900	1240	1190		315	954	319									78	52.0
OKC-105-3-20°-SC	1050	1390	1340	139.8	370	1124	382	260	71	200	50	230	180	15×25	6205	72.0	
OKC-120-3-20°-SC	1200	1540	1490		420	1268	399									80.0	
OKC-140-3-20°-SC	1400	1790	1730	165.2	500	1498	510	343	91	250	60	350	280	19×30	6206	165.0	
OKC-160-3-20°-SC	1600	1990	1930		580	1726	538									97	190.0
OKC-180-3-20°-SC	1800	2290	2220		650	1930	591	373	101	250	60	400	330	19×30	6207	242.0	
OKC-200-3-20°-SC	2000	2490	2420		730	2159	619	258.0									

Product symbol	Belt width	A	m1	D1	l1	C	F	M	J	H	P	B	t	n1	e × f	Ballbearing	Weight(kg)
OKC-40-3-30°-SC	400	690	640	89.1	145	439	249	180	52	150	40	190	6	140	15×25	6204	28.0
OKC-45-3-30°-SC	450	740	690		165	492	260										29.0
OKC-50-3-30°-SC	500	790	740		180	533	267										30.0
OKC-60-3-30°-SC	600	890	840		210	613	298										195
OKC-75-3-30°-SC	750	1090	1040	114.3	265	771	347	217	56	200	210	160	180	15×25	6204	43.0	
OKC-90-3-30°-SC	900	1240	1190		315	908	371									78	53.0
OKC-105-3-30°-SC	1050	1390	1340	139.8	370	1064	443	260	71	200	50	230	180	15×25	6205	73.0	
OKC-120-3-30°-SC	1200	1540	1490		420	1200	468									81.0	
OKC-140-3-30°-SC	1400	1790	1730	165.2	500	1425	591	343	91	250	60	350	280	19×30	6206	166.0	
OKC-160-3-30°-SC	1600	1990	1930		580	1643	632									97	191.0
OKC-180-3-30°-SC	1800	2290	2220		650	1835	696	373	101	250	60	400	330	19×30	6207	243.0	
OKC-200-3-30°-SC	2000	2490	2420		730	2052	737	259.0									



製品記号	ベルト巾	A	m2	D2	l2	L	F	M	H	B	t	n2	e×f	ベアリング	重量kg						
OKR-40-SR	400	700	640	89.1	460	425	301	60	150	150	4.5	60	15×25	6204	27.0						
OKR-45-SR	450	750	690		510	475									28.0						
OKR-50-SR	500	800	740		560	525									29.0						
OKR-60-SR	600	900	840		660	625	312								33.0						
OKR-75-SR	750	1100	1040	114.3	850	775	329	48	200	150	6	100	15×25	6205	42.0						
OKR-90-SR	900	1250	1190		1000	925	344								52.0						
OKR-105-SR	1050	1400	1340	139.8	1150	1075	384	55							250	180	9	120	19×30	6206	67.0
OKR-120-SR	1200	1550	1490		1300	1250	395														76.0
OKR-140-SR	1400	1800	1730	165.2	1530	1450	493	72	200	180	9	120	19×30	6206							128.0
OKR-160-SR	1600	2000	1930		1730	1650															145.0
OKR-180-SR	1800	2300	2220		2000	1850	550								250	220	6207	180.0			
OKR-200-SR	2000	2500	2420		2200	2050												194.0			

Product symbol	Belt width	A	m2	D2	l2	L	F	M	H	B	t	n2	e×f	Ballbearing	Weight(kg)						
OKR-40-SR	400	700	640	89.1	460	425	301	60	150	150	4.5	60	15×25	6204	27.0						
OKR-45-SR	450	750	690		510	475									28.0						
OKR-50-SR	500	800	740		560	525									29.0						
OKR-60-SR	600	900	840		660	625	312								33.0						
OKR-75-SR	750	1100	1040	114.3	850	775	329	48	200	150	6	100	15×25	6205	42.0						
OKR-90-SR	900	1250	1190		1000	925	344								52.0						
OKR-105-SR	1050	1400	1340	139.8	1150	1075	384	55							250	180	9	120	19×30	6206	67.0
OKR-120-SR	1200	1550	1490		1300	1250	395														76.0
OKR-140-SR	1400	1800	1730	165.2	1530	1450	493	72	200	180	9	120	19×30	6206							128.0
OKR-160-SR	1600	2000	1930		1730	1650															145.0
OKR-180-SR	1800	2300	2220		2000	1850	550								250	220	6207	180.0			
OKR-200-SR	2000	2500	2420		2200	2050												194.0			